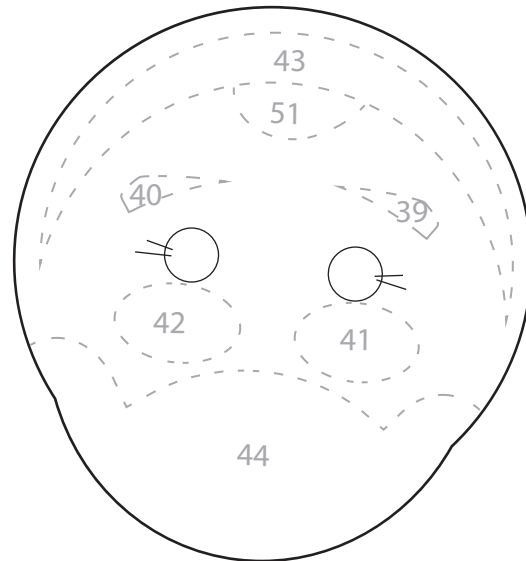


## CLASSIC SANTA SKIN COLOR TEMPLATES

- Print this page making sure you DO NOT SCALE the document when you print.
- Trace any embroidery lines on to white tissue paper.
- Cut out paper patterns and pin to a felt color of your choice.
- Cut out shapes just inside black lines.
- Pin tracing paper with embroidery lines on top of felt.
- Embroider eyelashes, eyes, and highlights on piece 38 per directions, right over the tracing paper. Pull tracing paper away.
- Appliqué piece 38 to stocking per directions.
- Embroider highlight on piece 49 per directions, right over the tracing paper. Pull tracing paper away.
- Appliqué piece 49 to stocking per directions.

**49**



**38**